

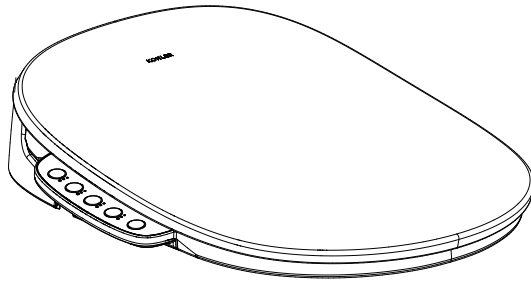
Installation Guide

安装说明

PUREWASH BIDET SEAT

清舒宝智能便盖

E510



科勒(中国)投资有限公司
中国上海市静安区江场三路158号 邮编:200436
制造商:上海科勒电子科技有限公司
中国上海市宝山区丰翔路1955号 邮编:200444

- 如果电源软线损坏，为了避免危险，必须由制造商、其服务机构或类似的专业人员更换。
- 为了安全使用本产品，请务必在海拔2000m以下使用。
- 最小进水压力为0.07MPa(动压)
最大进水压力为 0.74MPa。
- 必须使用随器具附带的新软管组件，旧软管组件不能重复使用。
- 产品固定在支撑物体上的方法参照第2\3页安装方法。
- 触电，火灾或人身伤害的危险。本产品必须安全接地。
产品只能连接到专用的220V[~]，50Hz，10A带接地故障断路器或接地漏电保护器的电路中。
- 产品损伤的危险。在所有其他安装步骤结束之前不要插电源线插头。
- 不要使用延长电线连接产品。
- 产品损坏的风险。连接本产品进水管时要小心对正螺纹，否则会损坏产品进水口螺纹，造成漏水。
- 如果产品长时间不用，请拔下插头并排干本机里的水。
- 产品损伤的风险。不要把产品安装在过分潮湿的地方，在这种地方，水汽可能凝聚在产品表面。请始终保持使用环境有足够的通风，以防止电子组件的损坏。



警告：

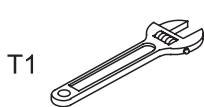
- 触电或产品损伤的危险。不要把产品浸入水中；产品掉入水中不能使用；防止将水淋到电源插上。
- 遵守所有当地的管道和建筑标准。
- 避免低温灼伤、触电、火灾或人身损伤。
 - 当儿童、老年人、残疾人、以及身体、感知、智力能力缺陷或经验和常识缺乏的人使用或靠近此产品时，近距离的监护是必需的。避免儿童在没有成年人的陪护下单独使用或接触此产品。不要让儿童独自待在安装有此产品的房间，儿童不应玩耍器具。
 - 对于无法自己进行温度调节操作的儿童和老人，需要帮助将便盖的圈温、冲水温度及风温调节到合适的档位。
 - 请避免长时间让裸露的皮肤接触加热坐圈，以免低温灼伤。



注意：

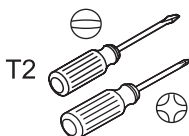
- 产品损坏或财产损失的风险。硬推、硬拉水管接头可能造成水渗漏。
- 产品损坏的风险。不要在喷嘴上施加过大的力，否则产品可能损坏。
- 请不要使用科勒不推荐的附件，如三通等。
- 如果智能坐便器产品不提供止水阀或方便操作止水阀的结构，应在安装说明书和用户手册中的醒目位置声明：“在安装本产品的同一房间中，需要在触手可及的位置安装一个止水阀，用于紧急情况下无需借助工具即可切断本产品的进水路；否则本产品的意外故障可能会导致用户损失”。
- 不要把产品浸没在水中。
- 不要把产品安装在水可能溅到的地方。
- 不要把产品安装在过分潮湿的地方。
- 只能连接自来水水源。

工具和材料



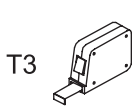
T1

可调节扳手



T2

螺丝刀



T3

卷尺



T4

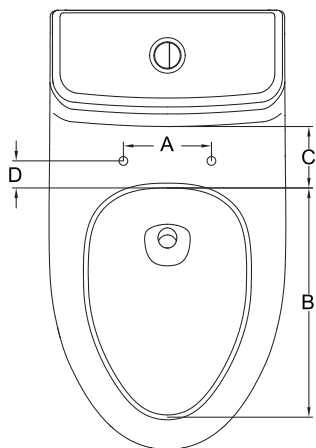
冲击钻



T5

擦布

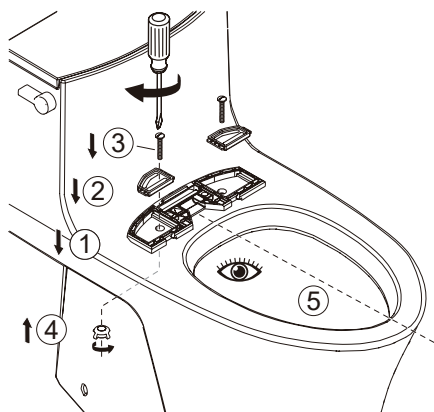
适配坐便器尺寸



- A. 坐便器安装孔的间距 140~210mm
- B. 坐便器内圈前后距离 $\geq 349\text{mm}$
- C. 坐便器内圈后端到水箱距离 $\geq 103\text{mm}$
- D. 坐便器内圈后端与安装孔的距离 37~77mm

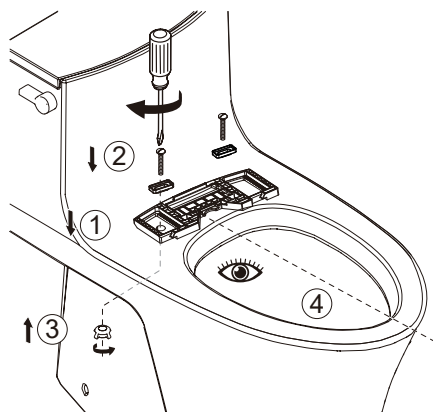
安装固定板

38201T-0



安装方式 A

38201T-HC-0



安装方式 B

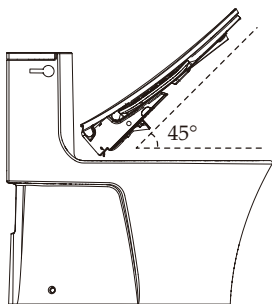
(图片仅供参考)

如果陶瓷上已经内嵌了安装螺纹，则不需要底部的蝶形螺母(图3)。

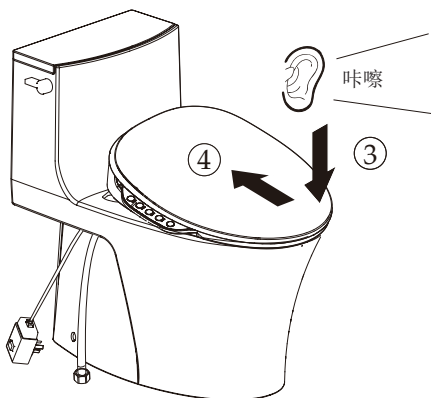
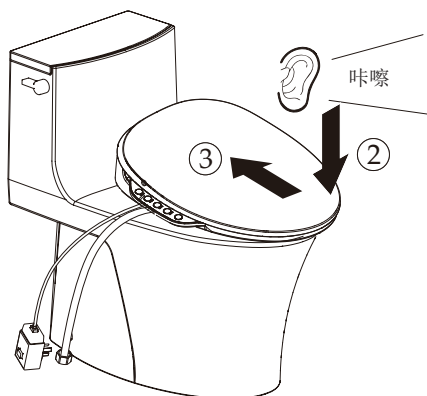
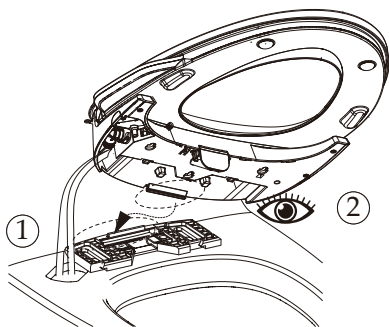
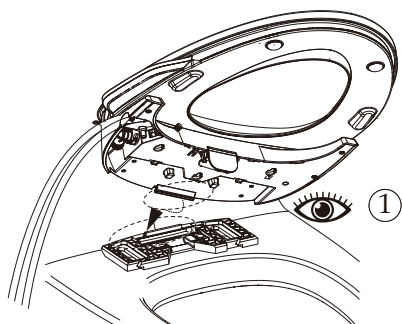
注：调整固定板（在已有防滑条上，适当黏贴备用防滑条，如附件包提供），可适配不同坐便器，使之与坐便盖间隙均匀，易于安装。

安装便盖

安装方式 A
侧出管线
38201T-0

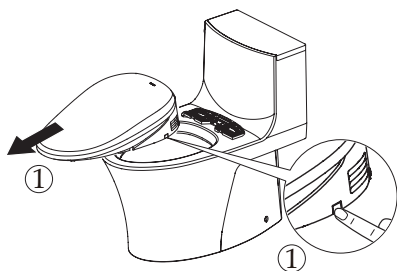


安装方式 B
隐藏管线
38201T-HC-0



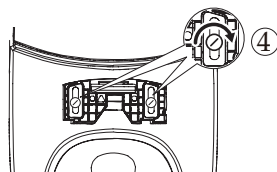
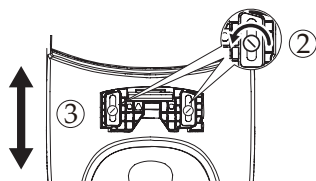
(图片仅供参考)

调整便盖位置



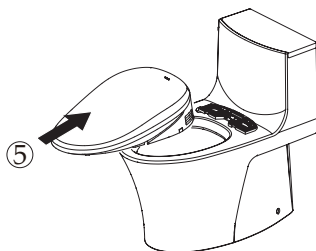
1. 按住释放按钮，
同时取下便盖。

2/3. 旋松螺钉，
前后调整固定板。



4. 重新紧固螺钉。

5. 重新安装好便盖。



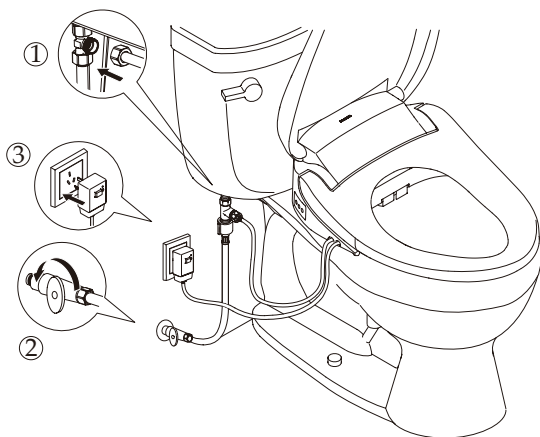
(图片仅供参考)

连接供水供电

重要！先通水，后通电。

重要！产品损坏的风险。小心对正进水管与便盖的螺纹，不要破坏螺纹或过于拧紧接头。为了拧紧接头，用手拧紧后用工具再拧紧1/4圈。

- 直接将三通与便盖、进水管口连接。
- 注意！对新安装的管路系统，在将进水软管连接至三通以前，须直接排水数秒，以清除管道内沙石，污垢等。
- 用提供的软管连接三通和便盖。
注意！必须使用随器具附带的新软管组件，旧软管组件不能重复使用。

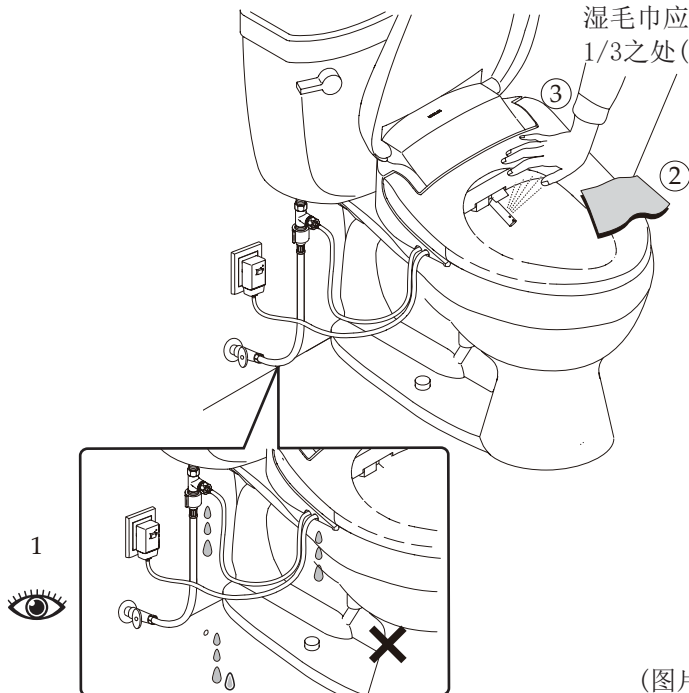


(图片仅供参考)

- 拧紧各处接口。
- 打开供水系统。
注意！一定要先彻底冲洗供水管以清除管道中的杂质，使用水源为饮用自来水，切勿使用工业用水、废水、污水以及海水。

安装检查

坐圈设计为落座感应模式。
湿毛巾应放在坐圈右边离前端大约
1/3之处(感应区域)。



(图片仅供参考)

- 当电源线插上电源插座,便盖发出短蜂鸣1次,喷管伸缩1次,直至初始化结束。
- 按用户手册的“初次使用前准备”章节开启产品。
- 继续参考用户手册中的“使用指导”部分来测试产品的不同功能。

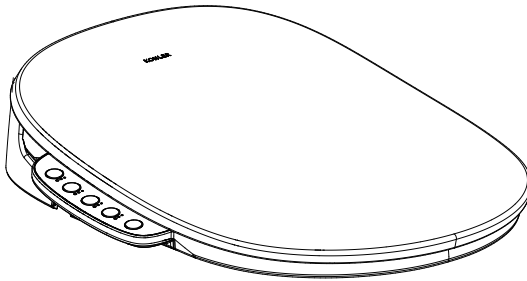


扫描右侧二维码,可以查阅电子版英文说明书。

Scan for English manuals.

Installation Guide

PUREWASH BIDET SEAT E510



Kohler (China) Investment Co., Ltd.

No.158, Jiangchang 3rd Road, Jing'an District, Shanghai, China. Postal Code: 200436

Manufactured by: Shanghai Kohler Electronics Technology Co., Ltd.

No. 1955, Fengxiang Road, Baoshan District, Shanghai, China. Postal Code: 200444

- In case the power cord is damaged: to avoid danger, it must be replaced by the manufacturer, its authorized service organization, or qualified professionals.
- To ensure safe use of this product, it must be used at altitudes below 2,000 meters.
- Min water pressure 0.07MPa (dynamic pressure)Max water pressure 0.74MPa.
- It is required to use the new hose assembly attached with the appliance. Do not re-use the old one.
- Refer to the installation method on pages 2/3 for how to secure the product to a support object.
- Risk of electric shock, fire, or personal injury. This product must be grounded safely. This product can be connect only to dedicated 220V~, 50Hz, 10A circuit protected by Ground-Fault Circuit-Interrupters (GFCI's) or Earth-Leakage Circuit-Breakers (ELCB's).
- Risk of product damage. Do not plug in the power cord before all other installation steps have been completed.
- Do not use an extension cord to connect the product.
- Risk of product damage. Be careful to align the thread when connecting the inlet pipe. Otherwise, it may damage the thread of the product water inlet and cause leakage.
- If the product will not be used for a long time, unplug it and drain all water from the unit.
- Risk of product damage. Do not install the product at a place with excessive humidity, where moisture may condense on the product surface. Ensure the operating environment is always well-ventilated to prevent damage to the electronic components.



Warning:

- Risk of electric shock or product damage. Do not immerse the product in water; do not use the product that has been dropped in water; water should not be poured on the power plug.
- Observe all local plumbing and building codes.
- Prevent low-temperature burns, electric shock, fire, or personal injury.
 - Children, elders or those with disabilities from their body, sensitivity or mental disabilities or lacking of common sense should not use or get close to this product unless under close tutelage. Avoid children using or coming into contact with this product alone without adult supervision. Do not leave children alone in a room with such product. Children should not play with the appliance.
 - For children and the elderly who are unable to adjust temperatures independently, assistance should be provided to set the bidet seat's temperature, water spray temperature, and air temperature to appropriate settings.
 - Exposed skin should not make contact with the heated seat for too long a time to prevent low temperature burning.

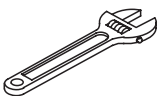


Attention:

- Risk of product damage or property loss. Water leakage may happen if the water pipe connector is pulled or pushed with excessive force.
- Risk of product damage. The product may be damaged if applying excessive force to the nozzle.
- Do not use attachments not recommended by Kohler Co. such as T-valve etc.
- If the smart toilet does not provide a water stop valve or a mechanism for easy operation of the water stop valve, a prominent statement should be included in the Installation Guide and Homeowners Guide: "When installing the product in a room, a water inlet angle valve shall be installed in a close proximity. For emergency circumstances, the water inlet valve can be turned off without using any tools; otherwise unexpected failure may cause the loss to the customer."
- Do not immerse the product in water.
- Do not install at a place where it may be splashed by water
- Do not install the product at a place with excessive humidity.
- Only tap water can be connected.

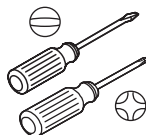
Tools and Materials

T1



Adjustable wrench

T2



Screwdriver

T3



Tape

T4



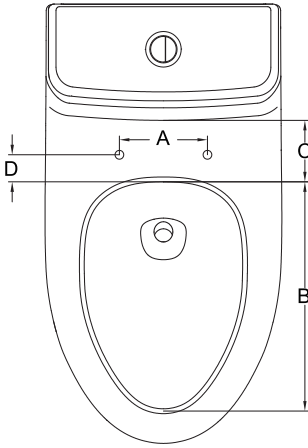
Percussion

T5



Wiper

Proper Toilet Dimension Requirement



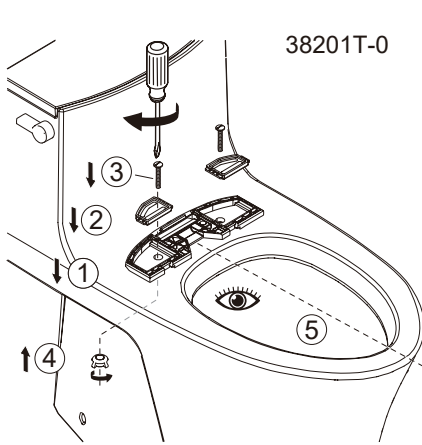
A. Mounting hole dimension 140~210mm

B. Toilet inner rim dimension ≥ 349 mm

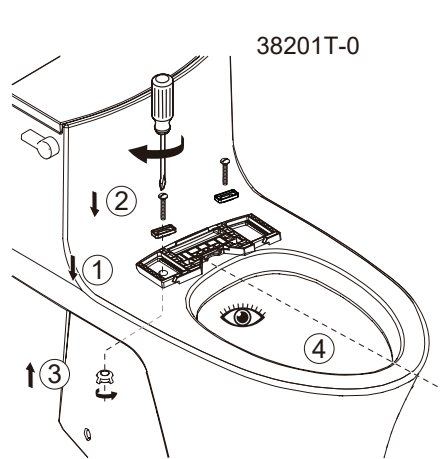
C. Dimension from the rear end of the toilet inner rim to the water tank ≥ 103 mm

D. Dimension between the rear end of the toilet inner rim and the mounting hole 37-77mm

Install Mounting Plate



Installation method A



Installation method B

(Reference picture)

If the mounting threads are already embedded in the ceramic, the bottom wing nut is not required (Figure 3).

Note: Adjust the mounting plate (Stick the other anti-slide strip provided in the accessory kit onto the one already stuck on as needed). It fits various bidets, making the gap between the seat and the bowl even, and ensuring that the mounting plate is easy to install.

Install Bidet Seat

Installation method A

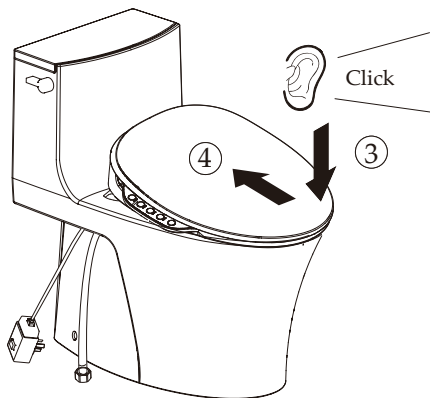
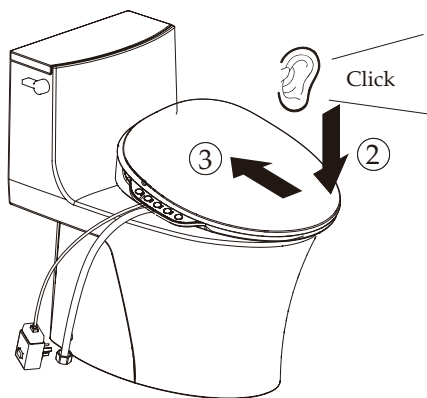
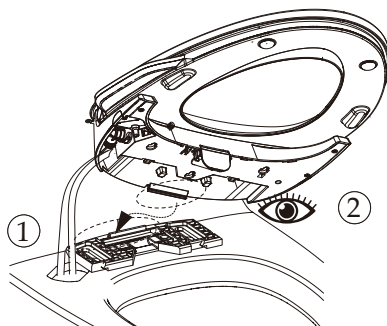
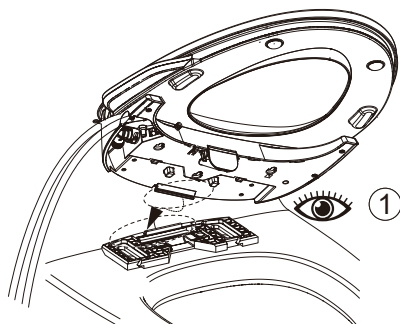
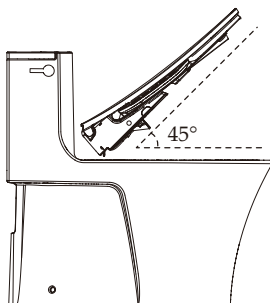
Side cord

38201T-0

Installation method B

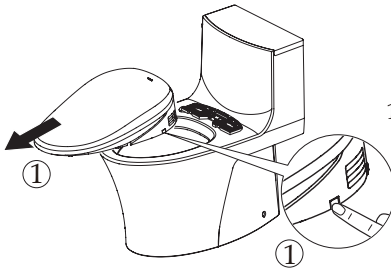
Hidden cord

38201T-0



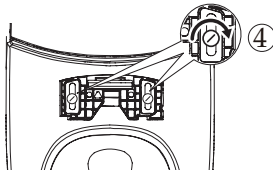
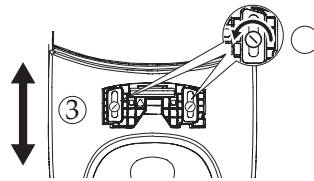
(Reference picture)

Adjust bidet seat



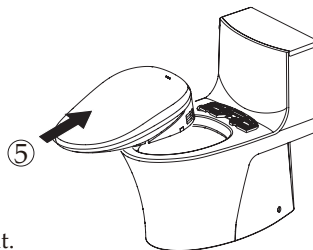
1. Press and hold the release button while removing the bidet seat.

2/3. Loosen the screws and adjust the mounting plate front and rear.



4. Re-tighten the screws.

5. Reinstall the bidet seat.



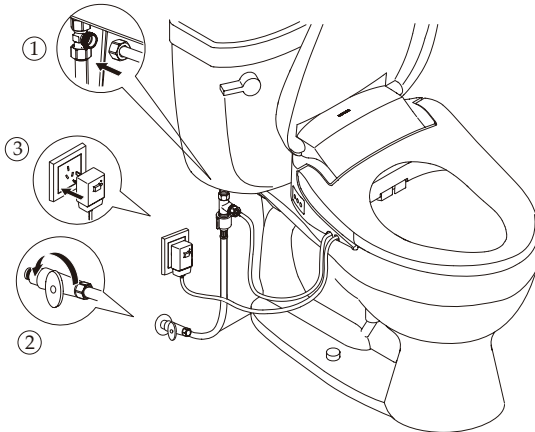
(Reference picture)

Connect Water and Power Supply

Important! First water, then power.

Important! Risk of product damage. Carefully align the threads of the inlet pipe with that of the bidet seat. Do not break the threads or over tighten the joint. To fix the joint, tighten it with your hands and twist it a 1/4 turn with a tool.

- Directly connect the tee joint with the bidet seat and the inlet pipe.
- Attention! For newly installed piping systems, before connecting the inlet hose to the tee joint, the system must directly drain water for several seconds to remove sand and dirt from the pipeline.
- Use the provided hose to connect the tee and bidet seat. Attention! It is required to use the new hose assembly attached with the appliance. Do not re-use the old one.

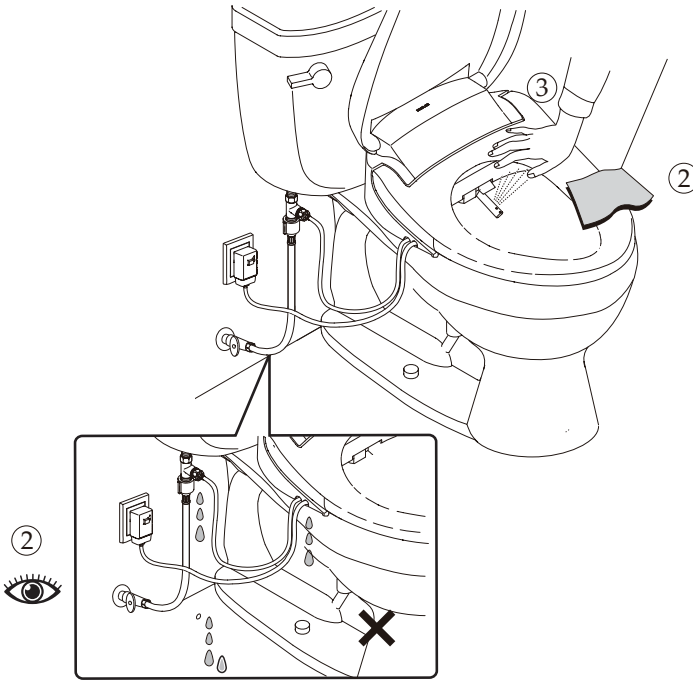


(Reference picture)

- Tighten all connectors.
- Open the water supply system. Attention! Be sure to thoroughly rinse the water supply pipe to remove impurities from the pipeline. Use drinkable tap water as the water source. Do not use industrial water, wastewater, sewage or sea water.

Installation Inspection

The seat is designed to be seat-on detection mode. A wet towel shall be placed on the right of the seat at the 1/3 position away from the front end (sensing area).



(Reference picture)

- Plug the power line into socket. Bidet seat generates one short beep, wand extends and retracts once, nightlight flash, until initialization completes.
- Turn on this product according to the "Preparations Before Initial Operations" section of the Homeowners Guide.
- Continue to read the "Use Guide" section of the Homeowners Guide to test functions of this product.

Scan for English manuals.

